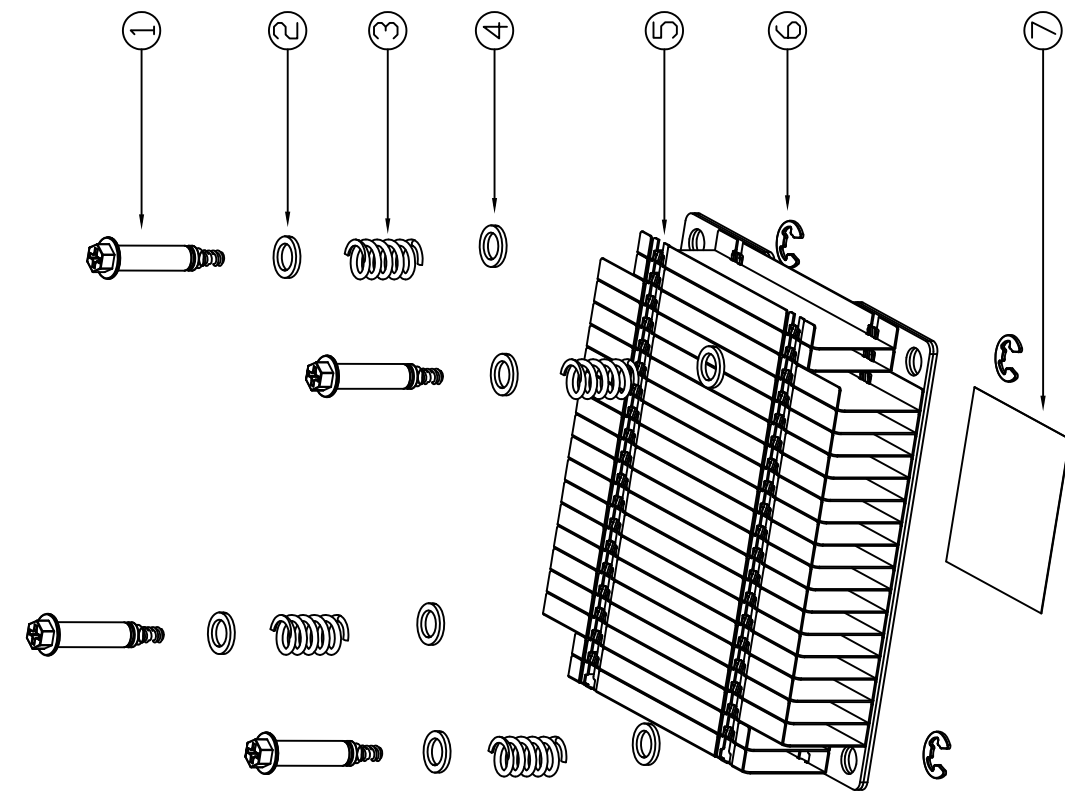


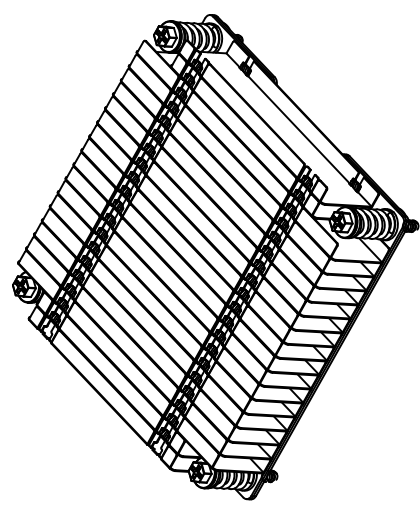
CONFIDENTIAL DOCUMENT

THIS DRAWING CONTAINS INFORMATION PROPRIETARY TO DYNATRON CORPORATION AND DYNAMEN INDUSTRIAL CO. ANY REPRODUCTION OR DISSEMINATION OF THIS DRAWING WITHOUT THE WRITTEN PERMISSION OF DYNATRON CORPORATION AND DYNAMEN INDUSTRIAL CO. IS STRICTLY PROHIBITED. BY ACCEPTING THIS DRAWING, THE USER AGREES TO IN STRICT CONFIDENTIALITY AND TO INDEMNIFY DYNATRON CORPORATION AND DYNAMEN INDUSTRIAL CO. FROM AND AGAINST ALL SUCH REPRODUCTION OR DISSEMINATION.

ASSEMBLY PARTS



WHOLE SET OF COOLER



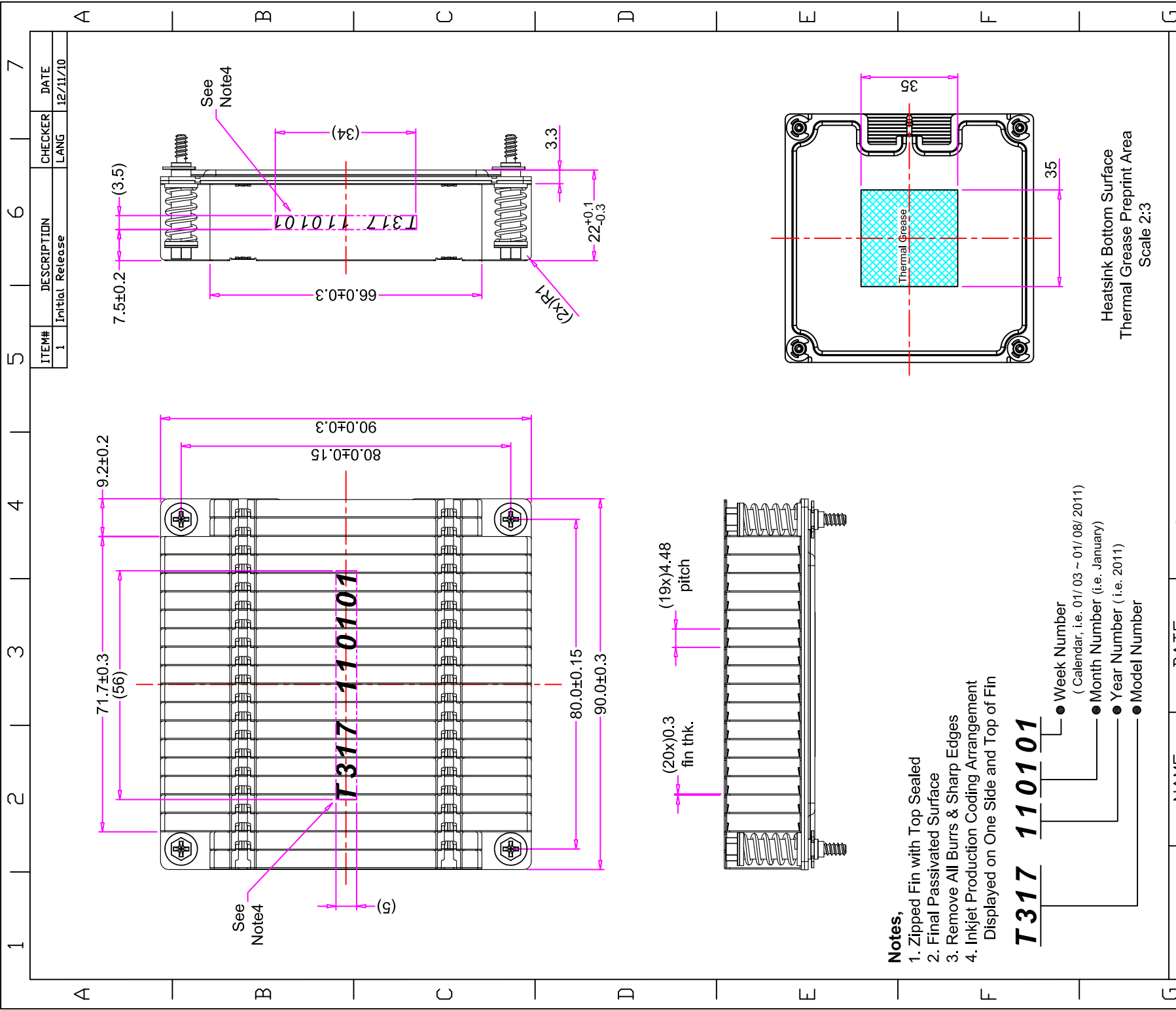
ITEM#	DESCRIPTION	MATERIAL	QTY.
7	Thermal Grease	Shin-Etsu G751	1
6	C-Ring	Steel	4
5	Heat Sink	Copper Fin+VC Base	1
4	Washer	Steel	4
3	Spring	SUS304 (730G)	4
2	Washer	Steel	4
1	Screw	Steel	4

DATE	NAME	DESCRIPTION	MATERIAL	QTY.
DRAWN	12/11/2010	engr		
CHECKED	12/11/2010	LANG		
ENG. APPR.				
MFG. APPR.				
Q.A.				
COMMENTS				

DYNATRON CORPORATION	
TOP MOTOR	
TITLE:	
OEM Passive Heatsink T317	
BOM & Exploded Assembly Drawing	
DWG. No:	DYN-EP-T317
REV	00

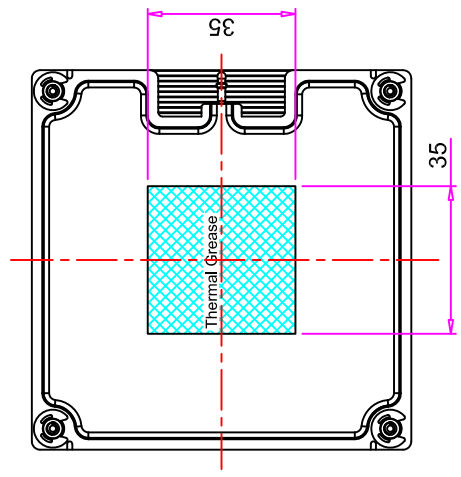
NOTES:  
 1. THE FIGURE IS FOR REFERENCE ONLY, AND NOT FOR SCALE  
 2. OVERALL DIMENSION: 90.0 x 90.0 x 22.0mm



- Notes,**
1. Zipped Fin with Top Sealed
  2. Final Passivated Surface
  3. Remove All Burrs & Sharp Edges
  4. Inkjet Production Coding Arrangement Displayed on One Side and Top of Fin

**T317 110101**

- Week Number (Calendar, i.e. 01/03 ~ 01/08/2011)
- Month Number (i.e. January)
- Year Number (i.e. 2011)
- Model Number



Heatsink Bottom Surface  
Thermal Grease Preprint Area  
Scale 2:3



**DYNATRON CORPORATION**  
TOP MOTOR

DRAWN BY	NAME	DATE
Eng.	Eng.	12/11/2010
CHECKED BY	LANG	12/11/2010

ENG. APPROVED	
MFG. APPROVED	

TITLE: **OEM Passive Heatsink T317**  
(sample TNC-037)  
Overall Dimension Drawing

**CONFIDENTIAL DOCUMENT**  
THIS DRAWING CONTAINS INFORMATION PROPRIETARY TO DYNATRON CORPORATION AND DYNAEON INDUSTRIAL CO., LTD. ANY REPRODUCTION, DISCLOSURE, OR USE OF THIS DRAWING IS EXPRESSLY PROHIBITED EXCEPT AS DYNATRON CORPORATION AND DYNAEON INDUSTRIAL CO., LTD. MAY OTHERWISE AGREE TO IN WRITING.

VIEW	MM
UNITS	MM

DWG. No: **DYN-DM-T317**

REV. **00**

A B C D E F G

1 2 3 4 5 6 7

H

1 2 3 4 5 6 7